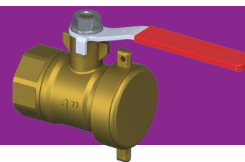


VALVOLE A SFERA, DI SCARICO OLIO, DI SICUREZZA, A SARACINESCA, RACCORDI

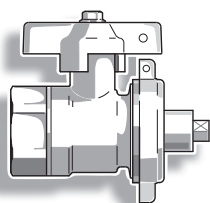
BALL VALVES, OIL DRAIN VALVES, SAFETY VALVES, FITTINGS

Capitolo 6

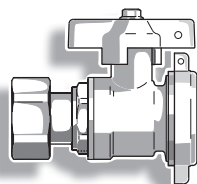
Chapter 6



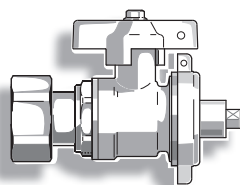
Cod. 226
Valvola a sfera con tappo
Ball valve with plug



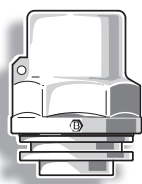
Cod. 224
Valvola a sfera con tappo e prelievo olio
Ball valve with plug and oil drainage



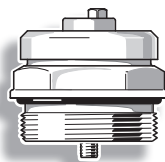
Cod. 222
Valvola a sfera con raccordo e tappo
Ball valve with connector and plug



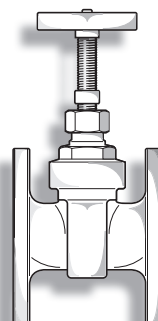
Cod. 223
Valvola a sfera con raccordo, tappo e prelievo olio
Ball valve with connector, plug and oil drainage



Cod. 138
Valvola con scarico olio DIN 42551
Oil drainage valve DIN 42551



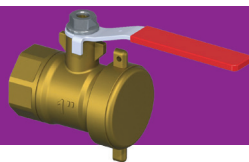
Cod. 154
Valvola di sicurezza (di pressione)
Safety valve



Cod. W30
Valvola a saracinesca
in bronzo
Flanged gate valve

ENEL-HOMOLOGAZIONE

OMOLOGAZIONE ENEL

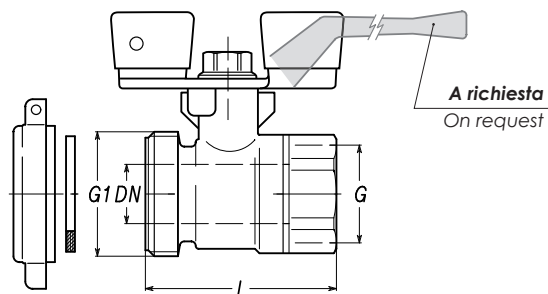


Cod. 226

Valvola a sfera con tappo
Ball valve with plug

CODICE/CODE	PN	DN	G	G1	L
226020000	16	20	1"	1"1/4	60

Materiale/Material: Ottone UNI EN 12165 / Brass UNI EN 12165

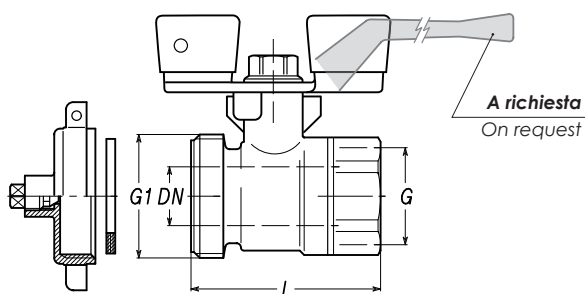


Cod. 224

Valvola a sfera con tappo e prelievo olio
Ball valve with plug and oil drainage

CODICE/CODE	PN	DN	G	G1	L
224020000	16	20	1"	1"1/4	60

Materiale/Material: Ottone UNI EN 12165 / Brass UNI EN 12165

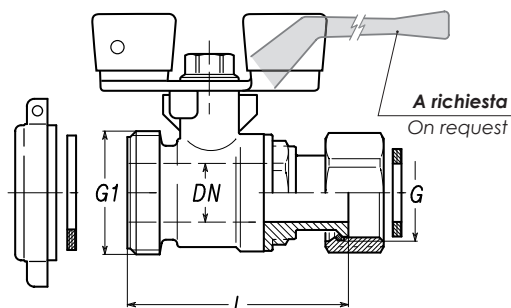


Cod. 222

Valvola a sfera con raccordo e tappo
Ball valve with connector and plug

CODICE/CODE	PN	DN	G	G1	L
222020000	16	20	1"	1"1/4	72

Materiale/Material: Ottone UNI EN 12165 / Brass UNI EN 12165

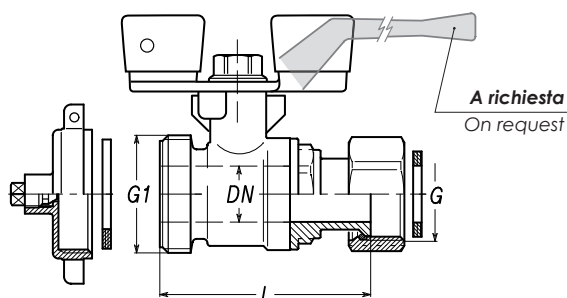


Cod. 223

Valvola a sfera con raccordo, tappo e prelievo olio
Ball valve with connector, plug and oil drainage

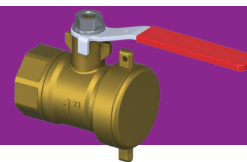
CODICE/CODE	PN	DN	G	G1	L
223020000	16	20	1"	1"1/4	72

Materiale/Material: Ottone UNI EN 12165 / Brass UNI EN 12165



6 - Valvole e Accessori

6 - Valves and Fittings

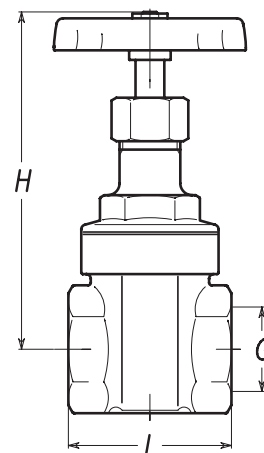


Cod. 235

Saracinesca F.F. PN16
Gate valve F.F. PN.16

CODICE/CODE	PN	G	H	L
235008000	16	1/4"	67	33
235010000	16	3/8"	67	33
235015000	16	1/2"	68	38
235020000	16	3/4"	78	44
235025000	16	1"	91	48
235032000	16	1"1/4	108	51
235040000	16	1"1/2	125	58
235050000	16	2"	143	63
235065000	16	2"1/2	175	64
235080000	16	3"	200	74
235100000	16	4"	235	84

Materiale/Material: Ottone UNI EN 12165 / Brass UNI EN 12165

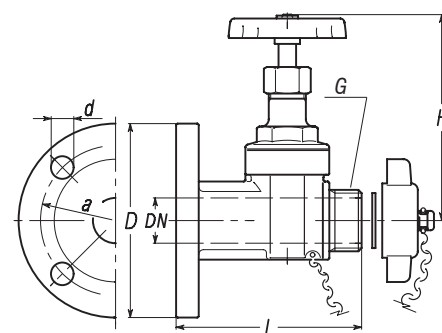


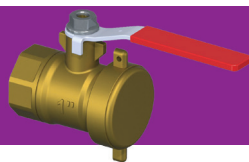
Cod. 237

Saracinesca a flange PN6-PN10 con tappo
Flanged gate valve PN6-PN10 avec plug

CODICE/CODE	PN	DN	G	H	L	D	a	d	N°fori/ N°holes
237015000	6	15	1/2"	80	67	80	55	11	4
237020000	6	20	3/4"	105	90	90	65	11	4
237025000	6	25	1"	110	90	100	75	11	4
237032000	6	32	1"1/4	120	100	120	90	14	4
237040000	6	40	1"1/2	125	112	130	100	14	4
237050000	6	50	2"	140	118	140	110	14	4
237065000	6	65	2"1/2	150	145	160	130	14	4
23701500010	10	15	1/2"	80	67	95	65	14	4
23702000010	10	20	3/4"	105	90	105	75	14	4
23702500010	10	25	1"	110	90	115	85	14	4
23703200010	10	32	1"1/4	120	100	140	100	18	4
23704000010	10	40	1"1/2	125	112	150	110	18	4
23705000010	10	50	2"	140	118	165	125	18	4
23706500010	10	65	2"1/2	150	145	185	145	18	4

Materiale/Material: Bronzo UNI 7013/8 / Bronze UNI 7013/8

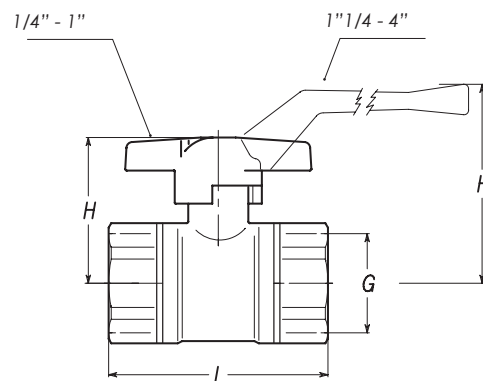




Cod. 228

Valvola a sfera F-F nichelata
Nickel - plated ball valve F.F.

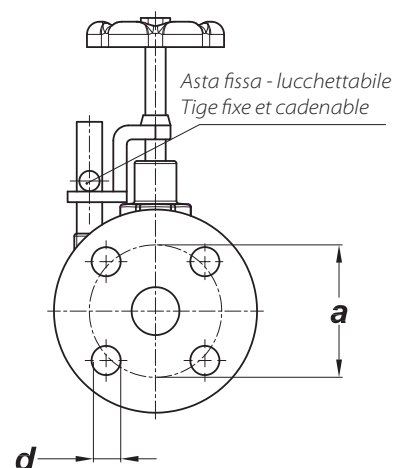
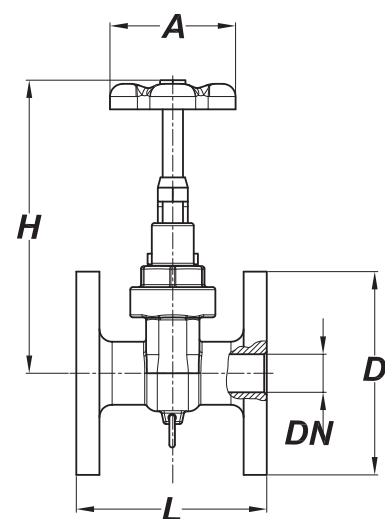
CODICE/CODE	PN	G	H	L
228008000	-	1/4"	41	48
228010000	-	3/8"	41	48
228015000	-	1/2"	45	54
228020000	-	3/4"	48	65
228025000	-	1"	60	68
228032000	-	1"1/4	65	82
228040000	-	1"1/2	81	89
228050000	-	2"	93	107
228065000	-	2"1/2	110	131
228080000	-	3"	120	150
228100000	-	4"	155	195



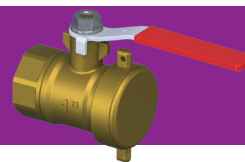
Cod. W30

Saracinesca a flange PN6-PN10-PN16 - asta fissa - lucchettabile indicatore aperto/chiuso
Flanged gate valve PN6-PN10-PN16 - fix rod, lockable open/closed indicator

CODICE/CODE	PN	DN	H	L	A	D	a	d	N°fori/ N°holes
W3001500006	6	15	116	75	50	80	55	11,5	4
W3002000006	6	20	128	80	55	90	65	11,5	4
W3002500006	6	25	132	87	60	100	75	11,5	4
W3003200006	6	32	165	99	70	120	90	14	4
W3004000006	6	40	172	113	80	130	100	14	4
W3005000006	6	50	186	125	90	140	110	14	4
W3006500006	6	65	250	145	110	160	130	14	4
W3008000006	6	80	290	162	120	190	150	18	4
W3010000006	6	100	325	175	175	210	170	18	4
W30015000	10	15	116	75	50	95	65	14	4
W30020000	10	20	128	80	55	105	75	14	4
W30025000	10	25	132	87	60	115	85	14	4
W30032000	10	32	165	99	70	140	100	14	4
W30040000	10	40	172	113	80	150	110	18	4
W30050000	10	50	186	125	90	165	125	18	4
W30065000	10	65	250	145	110	185	145	18	4
W30080000	10	80	290	162	120	200	160	18	4
W30100000	10	100	325	175	175	220	180	18	4
W3001500016	16	15	116	75	50	95	65	14	4
W3002000016	16	20	128	80	55	105	75	14	4
W3002500016	16	25	132	87	60	115	85	14	4
W3003200016	16	32	165	99	70	140	100	18	4
W3004000016	16	40	172	113	80	150	110	18	4
W3005000016	16	50	186	125	90	165	125	18	4
W3006500016	16	65	250	145	110	185	145	18	4
W3008000016	16	80	290	162	120	200	160	18	8
W3010000016	16	100	325	175	175	220	180	18	8



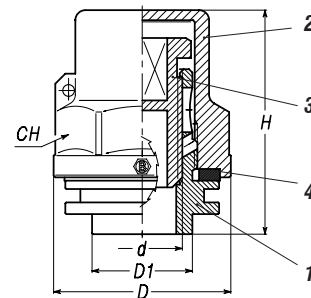
Materiale/Material: Bronzo / Bronze



Cod. 138

Valvola di scarico olio DIN 42551, EN50216-4 Tipo C2
Oil drainage valve DIN 42551, EN50216-4 Type C2

CODICE/CODE	PN	DN	D	d	CH	H	D1
138022000	-	22	53	24	46	67	30
*1380220001	-	22	53	24	37	64	30
138031000	-	31	75	33	65	92	40

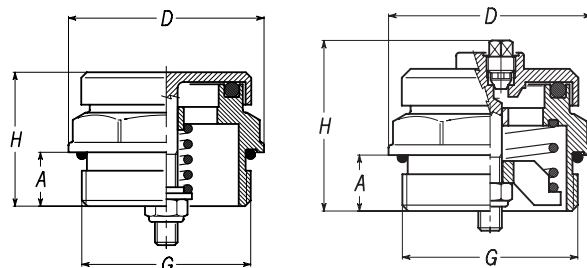


Materiale/Material:
1: Acciaio Fe37 / Steel Fe37
2: *Ottone UNI EN 12165 / Brass UNI EN 12165
Ghisa/Cast iron
3: Ottone UNI EN 12165 / Brass UNI EN 12165
4: Fibra/Fiber

Cod. 154

Valvola di sicurezza EN50216-5/A2
Safety valve EN50216-5/A2

CODICE/CODE	PN	Taratura kPa Setting kPa	Scarico Drain	G	A	H	D
154025000	-	40	X	1"	14	46	45
15405000030	-	30	✓	2"	19	55	77
15405000035	-	35	✓	2"	19	55	77
154050000	-	40	✓	2"	19	55	77
15405000050	-	50	✓	2"	19	55	77
15405000070	-	70	✓	2"	19	55	77



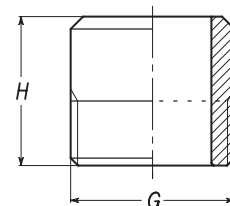
Materiale/Material:
Ottone UNI EN 12165 / Brass UNI EN 12165

Cod. 240

Raccordo filettato M.
Male threaded connector

CODICE/CODE	PN	G	H
240025000	-	1"	30

Materiale/Material: Acciaio/ Steel

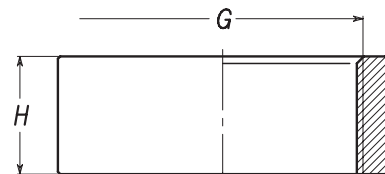


Cod. 241

Raccordo filettato F.
Female threaded connector

CODICE/CODE	PN	G	H
241025000	-	1"	40
241050000	-	2"	25

Materiale/Material: Acciaio/ Steel



Cod. Y00

Tappo
Plug

CODICE/CODE	PN	G	A	H	B	d
050025004A	-	1"	8,4	18,4	-	-
050025004NPA	-	1"	8,4	18,4	13,4	2
0500400041A	-	1 1/2"	9	20,5	-	-
Y00050006A	-	2"	12,5	26	38	3

Materiale/Material: Acciaio/ Steel

